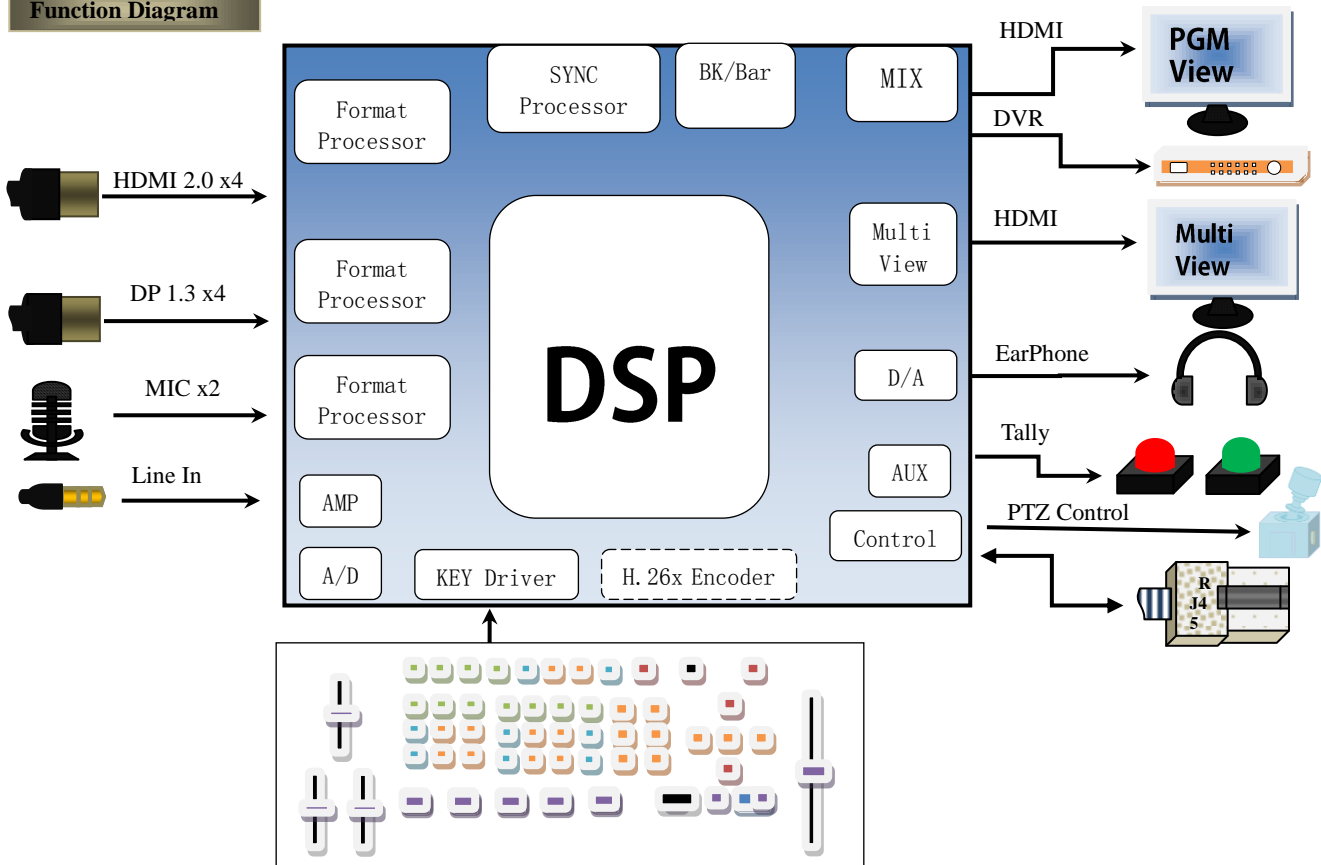




Function Diagram



Introduction

It is a dedicated video switcher for broadcast & TV, supporting up to 8-CH 4K60 signals. The device integrates HDMI decoder, DP decoder, the highest resolution supports 4K60HZ, backward compatible with 1080P/720P high-definition video signal such as 3G SDI, built-in format converter, adaptive front-end different video signal input, built-in special effect generator, audio processor, video streaming processing and other common components of switcher.

The video signal interface supports 4-CH HDMI+4-CH DP, total 8-CH video input and 3-CH HDMI output.

The audio signal interface supports 2-CH MIC input, 1-CH LINE input, and 1-CH Line output.

Support DCB control system and tally output.

It adopts high-strength aluminum alloy shell, which is easy to carry. It can be applied to broadcast and TV station studios and the needs of switching video effects on location. For professional users, the control keyboard can be expanded through the DCB interface.

## Features

- ◆ Aluminum alloy material, high strength and light weight
- ◆ A separate PATTERN KEY, which can set various special-shaped patterns.
- ◆ The position, size and number of images can be adjusted.
- ◆ Hundreds of special effect wipes such as circle, rhombus, fan, plum blossom, shutter, etc.
- ◆ Support RJ45 remote control
- ◆ DCB control
- ◆ Broadcast & TV standard Tally interface
- ◆ Support GPI control
- ◆ Support joystick, camera control
- ◆ Support pedal, control handle and other input
- ◆ 4HDMI+4DP input
- ◆ MULTIVIEW output: 1-CH HDMI
- ◆ PGM output: 2-CH HDMI
- ◆ 2 Analog Audio in
- ◆ 2 Analog Audio OUT
- ◆ Support 4K HDR
- ◆ Audio follow and mix function, HDMI audio de-embedding
- ◆ MIX / FADE and other special effects transition
- ◆ CUT hard cutting and AUTO special effect switching
- ◆ Color bar output, One-key screen freezing function
- ◆ Support PIP/POP function
- ◆ FTB emergency blackout function
- ◆ Luma Key & Chroma Key

## Interfaces



No.	Definition	Description
1	2 Analog Audio OUT	2-CH Analog Audio output
2	2 Analog Audio in	2-CH Analog Audio input
3	RJ45	Network upgrade
4	DCB	DCB interface, support cascade equipment, director tally light system
5	Tally /GPI	Connected to director tally light system (DB-15)/GPI control
6	RS422	PTZ camera control
7	DC 12V	DC 12V power supply
8	HDMI IN/DP IN	4-CH HDMI+4-CH DP input
9	HDMI OUT	Multiview OUT
10	HDMI OUT	2HDMI PGM OUT

## Parameters

Product Name	<b>4K UHD Switcher</b>	
Model	<b>UHS7108</b>	
<b>Video Signal Input</b>	Input Signal	HDMI/DP video signal
	Code Rate	270Mbps~18Gbps
	Connector	Standard
	Return Loss	>15dB 5MHz~3GHz
	Signal Amplitude	800mV ±10% (HDMI)
	Impedance	100Ω (HDMI)
	Balance	Adaptive
	DVD HDMI input support	480i/576i,480p/576p,720p,1080i,1080p,2160p
Computer HDMI input support	3840x2160,1920x1080,1680x1050,1600x900,1440x1050,1366x768,1360x768,1280x1024,1280x960,1280x800,1280x768,1280x720,1280x600,1152x864,1024x768,800x600	
<b>Video Signal Output</b>	Output Signal	HDMI video signal
	Code Rate	270Mbps~18Gbps
	Connector	Standard
	Return Loss	>15dB 5MHz~3GHz
	Signal Amplitude	800mV ±10% (HDMI)
	Impedance	100Ω (HDMI)
	DC offset	0V ±0.5V
	Clock Recovery	Support
<b>Common Parameters</b>	Power Supply	12V/DC
	Power	50W
	Size	284*175*55mm
	Control Panel	Support on-site production, integrate a variety of buttons
	Operating Temperature	0℃~50℃ no condensation
	Storage Temperature	-20℃~75℃
	Working Humidity	20%~70%RH
Storage Humidity	0%~90%RH, no condensation	

# Application

