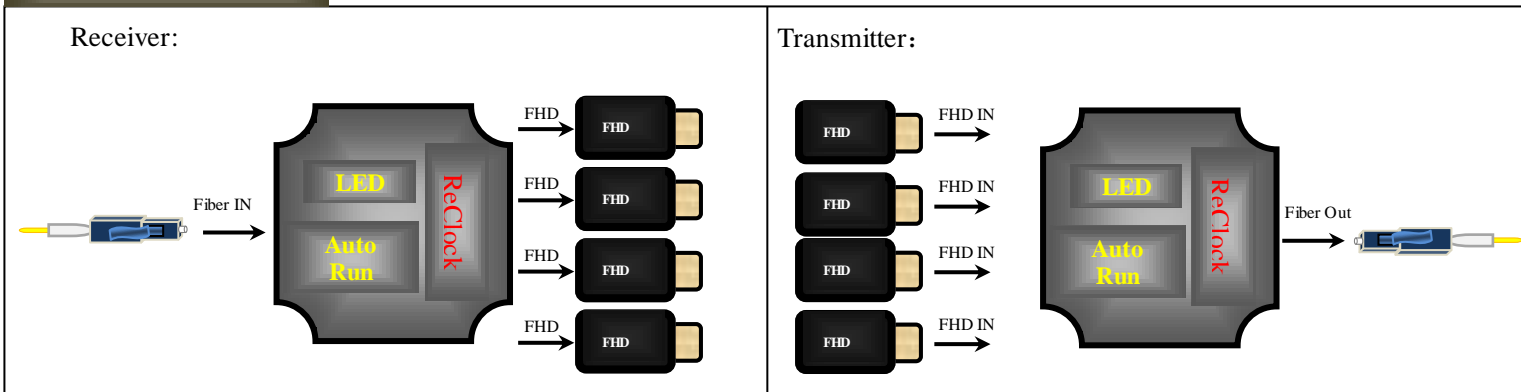


**4-CH FHD to Single Fiber Optical Transceiver**

Version: 1.0



**Functional Diagram**



**Product Introduction**

Professional-grade centralized FHD optical transceiver, an optical signal transmission system based on broadcast-grade FHD signal design. Integrated up/down conversion function, FHD input signal adaptive, output optional 1080P60/30, etc. In addition, the device can also support 8-CH independent audio transmission. The device has built-in signal equalization, serial clock recovery and line driver. The devices are used in pairs, and the input and output of optical fiber and FHD can be customized by manipulating the DIP switch. The receiving end supports 1 optical fiber signal input to be converted into 4 independent FHD signal outputs. The transmitter supports 4-CH FHD signal input, which is converted into 1-CH optical fiber output. The device adopts a detachable SFP optical module, single-mode single-fiber design, the standard transmission distance is 10KM, and the corresponding modules of different distances can be replaced arbitrarily according to different application scenarios. The frequency of the FHD input signal of the device is automatically adapted, and the 3G/HD/SD signal is automatically detected, which can be applied to professional FHD video signals such as HDTV/FHDTV/HDTV/SDTV, and is especially suitable for long-distance optical fibers of broadcast-level high-definition digital signals transmission and application.

**Features**

Receiver:

- ◆ 1 optical fiber signal input
- ◆ 4 FHD signal output
- ◆ Universal FC optical fiber interface
- ◆ Output resolution supports frequency conversion
- ◆ Support TYPE C upgrade
- ◆ Support independent audio transmission
- ◆ Support common formats 1080P/1080I/720P/480I/576I
- ◆ Support special formats such as 1080PSF/720P 30/25/24Hz
- ◆ Support PAL/NTSC/720P to 1080P up-conversion
- ◇ Special functions can be customized

The transmitter:

- ◆ 4 FHD signal input
- ◆ 1 optical fiber signal output
- ◆ Universal FC optical fiber interface
- ◆ Input resolution adaptive
- ◆ Support TYPE C upgrade
- ◆ Support independent audio transmission
- ◆ Support common formats 1080P/1080I/720P/480I/576I
- ◆ Support special formats such as 1080PSF/720P30/25/24Hz
- ◇ Special functions can be customized

## Interface Description

Receiver:

Transmitter:



NO.	Function	NO.	Function
1	4x FHD OUT	2	DIP control(reserve)
3	4 groups of audio output	4	FIBER IN
5	TYPE C upgrade	6	AC 220V power supply

NO.	Function	NO.	Function
1	4x FHD IN	2	DIP control(reserve)
3	4 groups of audio input	4	FIBER OUT
5	TYPE C upgrade	6	AC 220V power supply

## Product Parameters

Product Name		FHD HD Fiber Optic Transmission System			
FHD Video Input	Input signal	4-CH FHD signal	Optical Fiber Signal Output	General Parameters	Optical fiber signal
	Rate	100MHZ~6.6GHZ		Connector	Standard FC
	Signal amplitude	800mV±10%(100Ω)		Impedance	100Ω
	Connector	FH		Analog Audio Input Output	Output signal
Optical Fiber Signal Input	Input signal	Optical fiber signal	Impedance		16Ω
	Connector	Standard FC	Connector		Earphone
	Impedance	100Ω	General Parameters	Power supply	AC 220V
FHD Video Output	Output signal	4-CH FHD signal		Size/ Weight	483*270*44mm/2.5KG
	Rate	100MHZ~6.6GHZ		Operating temperature	0°C~50°C No condensation
	Signal amplitude	800mV±10%(100Ω)		Storage temperature	-20°C~75°C
	Connector	HD		Working humidity	20%~70%RH
	Impedance	100Ω		Storage humidity	0%~90%RH No condensation

## Application

