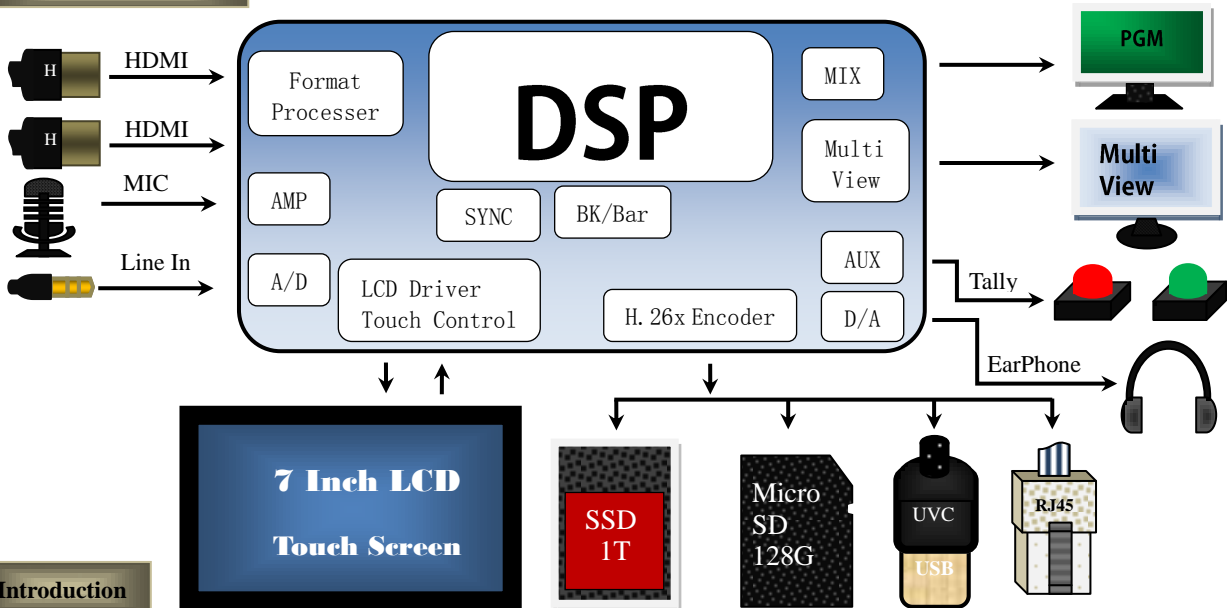


HDS8307(Stream+Record+Touch Screen+4-CH HDMI)

Version:1.0RC03



Functional Diagram



Introduction

DeviceWell micro video switcher HDS8307 adopts full touch 7-inch LCD screen operation design. The device integrates common components of switchers such as multiView processor, special effect generator, audio processor and video streaming media processing. The interface supports 4 HDMI input, microphone and line input, PGM/MultiView output, analog audio output and tally output. PGM video stream can be output through UVC and RTMP network stream, and can also be recorded to TF card or external storage.

HDS8307 adopts high-strength metal shell, small size and easy to carry. It can be applied to the needs of small live broadcast and outdoor video special effects switching. For professional users, the control keyboard can be extended through the DCB interface, which can be used in studios, outdoor sports events, program performances and other scenarios.

Features

- Portable all-in-one design, metal body, high strength and light weight
- 4 HDMI inputs
- PGM output and MultiView output
- 2 MIC input, 1 LINE IN input
- 1-CH LINE OUT output
- 1-CH UVC output
- Network push streaming (RTMP)
- Audio follow, mix function
- HDMI audio de-embedding
- Special effects transition such as MIX/FADE
- CUT and AUTO effect switching
- FTB and color bar output
- Screen freeze function (Still)
- PIP windowing function
- Key function (Luma key or Chroma key)
- PC remote control and DCB control
- External expansion of tally system

Interfaces



No.	Definition	Description
1	STREAM OUT	Type_C Interface, UVC Output
2	MultiView Out	HDMI MultiView Output
3	PGM OUT	1*PGM Live Output
4-7	HDMI IN	4-CH HDMI Input
8	Power	DC 12V Power Supply
9	Key	Switch and lock screen control
10	EXT HDD	External Hard Drive Disk
11	TF Card	TF Card Storage
12	LINE OUT	Stereo Audio Output
13	LINE IN	Stereo Audio Input
14-15	MIC IN	2-CH MIC Input
16	DCB/DCB2	DCB control (device cascade / wireless tally / external keyboard)
17	RJ45	Network push/network upgrade/remote control

Parameters		
Product Name	4-CH HDMI Video Switcher	
Model	HDS8307	
Video Signal Input	Input signal	HDMI video signal
	Rate	270Mbps~3Gbps
	Connector	Standard
	Reflection loss	>15dB 5MHz~3GHz
	Signal amplitude	800mV ±10% (HDMI)
	Impedance	100Ω (HDMI)
	Balance	Adaptive
	DVD input HDMI support	480i,576i,480p,576p,720p,1080i,1080p
Computer HDMI input support	1920x1080,1680x1050,1600x900,1440x1050,1366x768,1360x768,1280x1024,1280x960,1280x800,1280x768,1280x720,1280x600,1152x864,1024x768,800x600	
Audio Signal	Level range	100mV-3.3V
	THD+N	<-100dB
	Frequency response	20Hz-80KHz
	SNR	>100dB
	Crosstalk	<-100dB
	Phase offset	<0 degree
	Noise floor	<-100dB
Video Signal Output	Output signal	HDMI video signal
	Rate	270Mbps~3Gbps
	Connector	Standard
	Reflection loss	>15dB 5MHz~3GHz
	Signal amplitude	800mV ±10% (HDMI)
	Impedance	100Ω (HDMI)
	DC offset	0V ±0.5V
	Clock recovery	Support
General Parameter	Power supply	12V/DC
	Power	18W
	Size	190*120*30mm
	Control panel	Display
	Operating temperature	0°C~50°C No condensation
	Storage temperature	-20°C~75°C
	Working humidity	20%~70%RH
	Storage humidity	0%~90%RH, No condensation

### Application Scenarios



Interview & Speech



Outdoor Sporting Events



Program Production



School Courseware Production



Short Video Entertainment



Online Education

### Application Diagram



HDS8307 Application