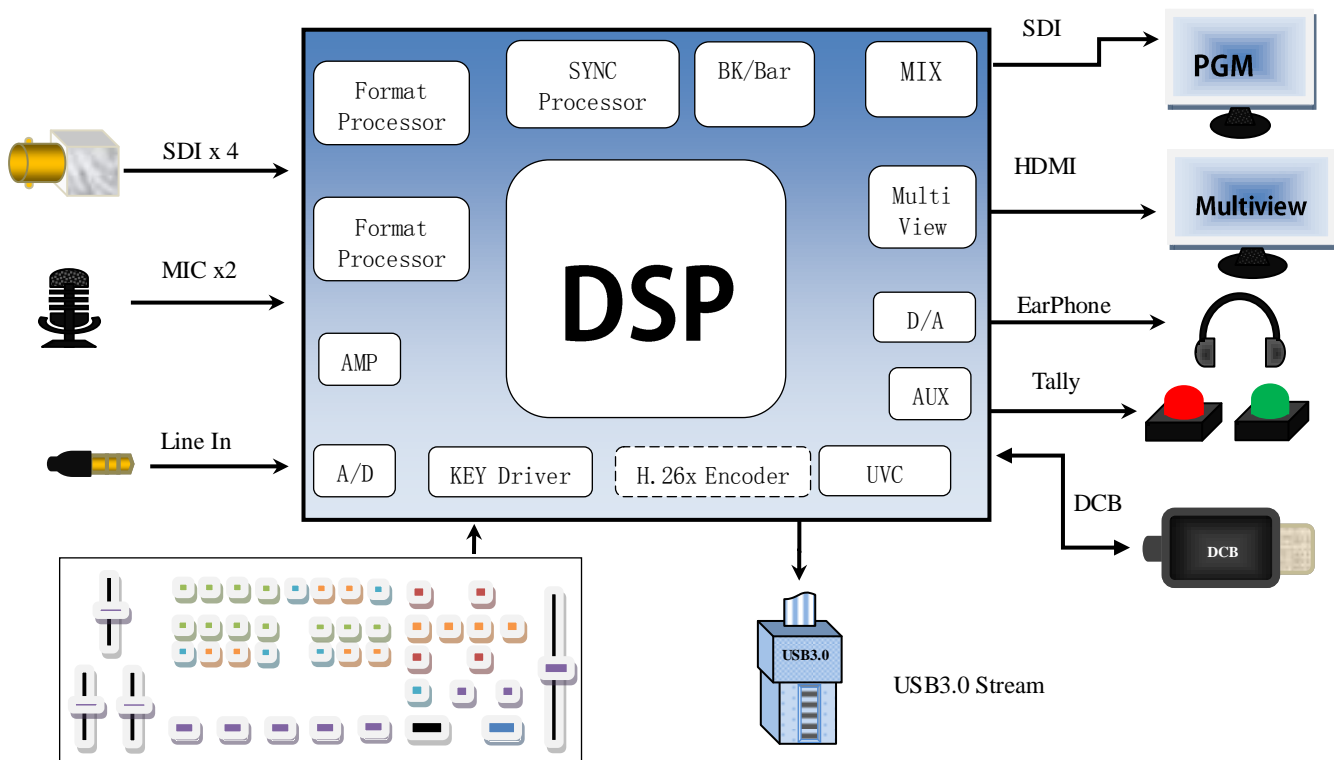


HDS6105P(Simple Switcher 4xSDI)

Version:1.0



Functional Diagram



Introduction

The HDS6105P, a dedicated switcher for Broadcast & TV / studio, adopts a portable integrated design, metal shell, small size and light weight, which can be applied to the video special effect switching requirements of small scenes. The device integrates multiview processor, special effect generator, audio processor, control keyboard and other common switcher components.

HDS6105P conforms to the SMPTE standard and supports 4-CH SDI signal input, a total of 4-CH video signals. Simultaneous output of multiview and PGM signals. HDS6105P supports HDMI embedded audio + external analog audio. After mixed processing, it can be embedded into the output HDMI signal or output from the analog port. The resolution of all input signals is automatically adapted, and the resolution of output signals can be selected according to requirements, which is quite flexible. For broadcast and television, program production, on-site production of interviews and speeches, outdoor sports events, and other video switching requirements, the functions of HDS6105P can fully meet the needs.

## Features

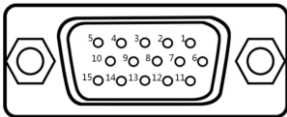
- ◆ Portable integrated design
- ◆ 4-CH SDI input
- ◆ USB3.0 streaming
- ◆ DCB control, device cascade/wireless tally/external keyboard
- ◆ GPI control, support foot pedal, control handle, etc.
- ◆ MIC and LINE audio input
- ◆ Analog LINE audio output
- ◆ Audio follow, mix function
- ◆ One-key screen freeze (STILL) function
- ◆ PVW (multiview) and PGM (live)
- ◆ Special effects transition such as MIX/FADE
- ◆ CUT hard cut and AUTO special effect transition
- ◆ Support tally/network remote control
- ◆ Built-in chassis temperature detection and fan intelligent control system
- ◆ Support software online upgrade

## Interfaces



No.	Definition	Description
1	DC 12V	power input
2	TALLY/GPI	wireless TALLY system (DB-15) /GPI control
3	DCB	DCB control (device cascade/wireless tally/external keyboard)
4	RJ45	Network interface control
5	LINE IN/OUT	3.5mm stereo audio input/output
6	MIC IN	2-CH microphone input
7	USB 3.0	USB3.0, UVC stream
8	MULTIVIEW	HDMI multiview output
9	SDI OUT	PGM live output
10	SDI IN	4-CH SDI input

## TALLY\_GPI Definition



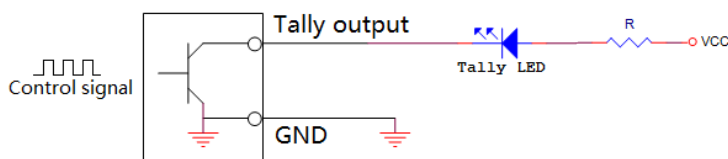
TALLY/GPI function table

PIN	(Tally)	PIN	(GPI)
11	PGM-IN1	1	GPI-IN1
12	PGM-IN2	2	GPI-IN2
13	PGM-IN3	3	GPI-IN3
14	PGM-IN4	4	GPI-IN4
6	PVW-IN1	10	GPI-IN5
7	PVW-IN2	15	GPI-IN6
8	PVW-IN3	5	GND
9	PVW-IN4		

## GPI Optional feature list

GPI-Inx optional feature		Description
1	PGM1	Simulate PGM1 button messages
2	PGM2	Simulate PGM2 button messages
3	PGM3	Simulate PGM3 button messages
4	PGM4	Simulate PGM4 button messages
5	PGM_BAR	Simulate PGM_BAR button messages
6	CUT	Simulate CUT button messages
7	AUTO	Simulate AUTO button messages
8	MUTE	Simulate MUTE button messages
9	FTB	Simulate FTB button messages
10	STILL	Simulate STILL button messages

## TALLY connection diagram:



## GPI Control Schematic:



Foot Switch

DJ Button

Note: Tally LED: For an external display device

Tally output : Low level is active (Tally LED is on) high level is invalid (Tally out is off)

## Parameters

Product Name	4-CH SDI Video Switcher					
Model	HDS6105P					
Video Signal Input	Input signal	SDI video signal	Control Parameter	Remote control	GPI	
	Rate	143Mbps~2.97Gbps		Connection	15-pin D-port	
	Connector	BNC complies with IEC169-8 standard		Network control	UDP	
	Reflection loss	>15dB 5MHz~3GHz		Connection port	RJ45,100M	
	Signal amplitude	800mV ±10%(SDI)		General Parameter	power supply	12V/DC
	Impedance	75 Ω(SDI)			Power rate	<25W
	Balance	100m Belden 1694A HD/200m Belden 8281A HD			Size	280mm*110mm*40mm
Video Signal Output	output signal	SDI/HDMI video signal	Weight		1Kg	
	Code rate	270Mbps~3Gbps	Control Panel		Support on-site production, integration of a variety of buttons.	
	Connector	Standard	Operating temperature		0°C~50°C, No condensation	
	Return Loss	>15dB 5MHz~3GHz	Storage temperature		-20°C~75°C	
	Signal amplitude	800mV ±10%(SDI /HDMI)	Working humidity	20%~70%RH		
	impedance	100Ω (HDMI) 75 Ω(SDI )	Storage humidity	0%~90%RH, No condensation		
	DC offset	0V±0.5V				
Clock recovery	Support					

## Application

